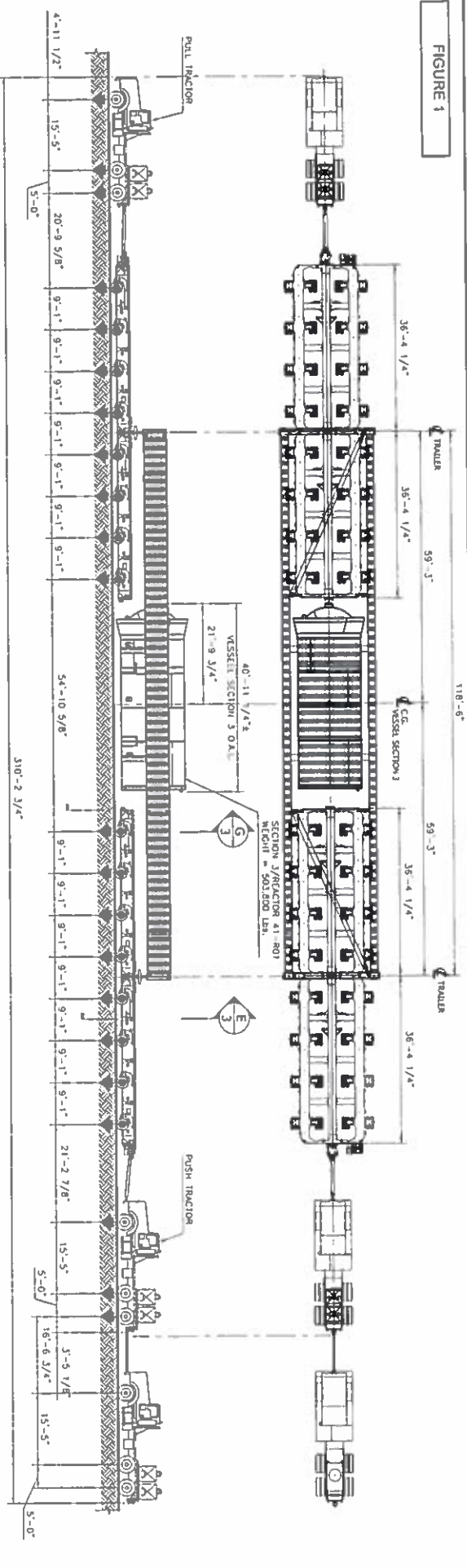
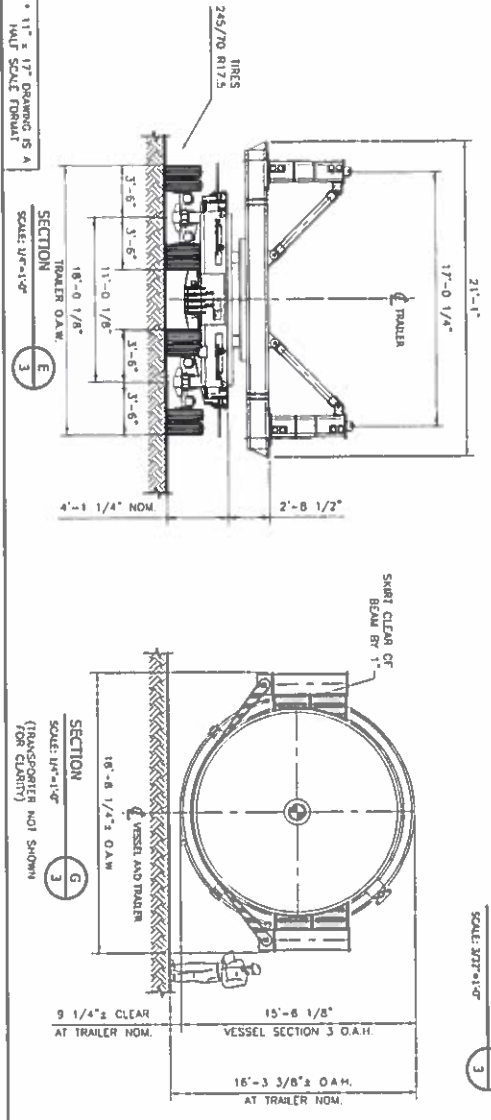


FIGURE 1



AXLE NUMBER	TOTALS	AXLE WEIGHT	PAYLOAD	GROSS LOAD	GROSS WT / TRAC	NUMBER OF TRACS
1	12,670	12,670	7,380	20,000	10,000	2 TRACS
2	5,075	5,075	16,425	21,500	5,375	4 TRACS
3	5,075	5,075	16,425	21,500	5,375	4 TRACS
4	17,884	17,884	31,488	49,372	6,171	8 TRACS
5	17,884	17,884	31,488	49,372	6,171	8 TRACS
6	17,884	17,884	31,488	49,372	6,171	8 TRACS
7	17,884	17,884	31,488	49,372	6,171	8 TRACS
8	17,884	17,884	31,488	49,372	6,171	8 TRACS
9	17,884	17,884	31,488	49,372	6,171	8 TRACS
10	17,884	17,884	31,488	49,372	6,171	8 TRACS
11	17,884	17,884	31,488	49,372	6,171	8 TRACS
12	17,884	17,884	31,488	49,372	6,171	8 TRACS
13	17,884	17,884	31,488	49,372	6,171	8 TRACS
14	17,884	17,884	31,488	49,372	6,171	8 TRACS
15	17,884	17,884	31,488	49,372	6,171	8 TRACS
16	17,884	17,884	31,488	49,372	6,171	8 TRACS
17	17,884	17,884	31,488	49,372	6,171	8 TRACS
18	17,884	17,884	31,488	49,372	6,171	8 TRACS
19	17,884	17,884	31,488	49,372	6,171	8 TRACS
20	12,670	12,670	7,380	20,000	10,000	2 TRACS
21	5,075	5,075	16,425	21,500	5,375	4 TRACS
22	5,075	5,075	16,425	21,500	5,375	4 TRACS
23	12,670	12,670	7,380	20,000	10,000	2 TRACS
24	5,075	5,075	16,425	21,500	5,375	4 TRACS
25	5,075	5,075	16,425	21,500	5,375	4 TRACS

ELEVATION VIEW 1
SCALE: 3/32"=1'-0"



SECTION E
SCALE: 3/16"=1'-0"
TRAILER O.A.W.

SECTION G
SCALE: 1/8"=1'-0"
VESSEL AND TRAILER
(TRANSPORTER NOT SHOWN FOR CLARITY)

NOTES:
1) ADDITIONAL PULL/PUSH TRACTORS TO BE ADDED AS REQUIRED.

The General Contractor/Installation Contractor shall be responsible for obtaining all necessary permits and approvals for the use of this equipment on the project. The Contractor shall be responsible for the safe use of this equipment and shall be responsible for the safe use of this equipment on the project.

Bigge
CRANE and RIGGING CO.
HEAVY HAUL GENERAL ARRANGEMENT
SECTION 3 / REACTOR 41 - ROT
CALUMET REFINERY PROJECT
CHAZWILL

Scale: 1/8" = 1'-0"
Sheet No: 701
Rev: 1

9601052